



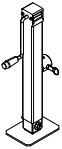
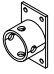



The Ultimate in Fall Protection

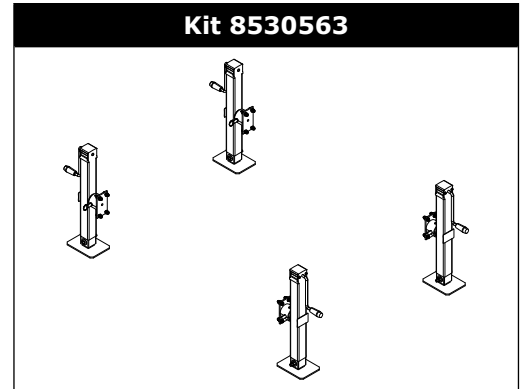
# flexiguard®

**Jack Leveling Kit**

**Kit Number: 8530563**

## INSTALLATION INSTRUCTION

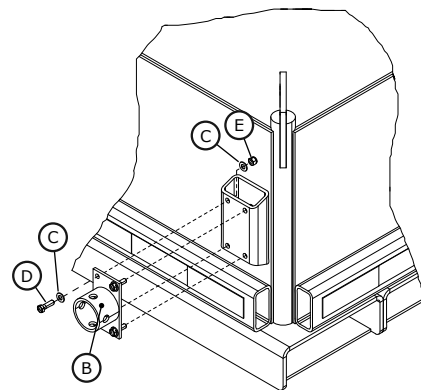
Component List			
Item	Qty.	Part No.	Description
A	4	8536970	JACK ASSY,7000 LB TOP WIND,A-FRAME 
B	4	8545013	WELDMENT, JACK MNT ASSY,ADJ C/W JIB SYSTEM 
C	32	9500826	WASHER,FLAT,3/8,N,ZP 
D	16	9500983	BOLT,HH,3/8-16X1 1/4,ZP,GR8 
E	16	9505716	NUT,HEX,LOCK,3/8-16,ZP 



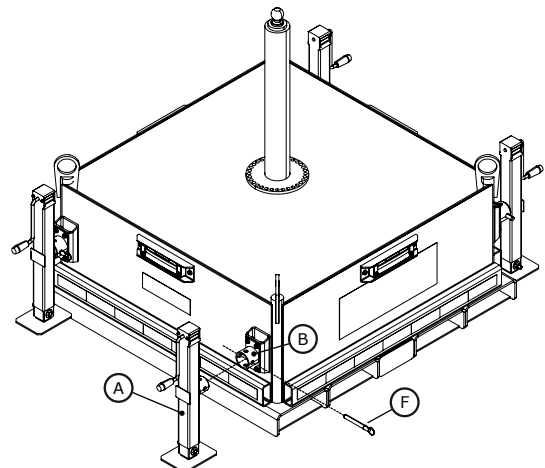
Tools Required
1/2" Socket and Wrench
Torque Wrench

### Installation:

1. Uncrate and identify all of the components in the Component List.
2. Bolt all Item 'B's to the Counterweight Base. Torque all hardware to 45 ft\*lbs (61 Nm)



3. Insert Item 'A's into Item 'B's. Secure into position with Detent Pins (F).





Global Leader in Fall Protection

**USA**

3833 SALA Way  
Red Wing, MN 55066-5005  
Toll Free: 800.328.6146  
Phone: 651.388.8282  
Fax: 651.388.5065  
solutions@capitalsafety.com

**Brazil**

Rua Anne Frank, 2621  
Boqueirão Curitiba PR  
81650-020  
Brazil  
Phone: 0800-942-2300  
brasil@capitalsafety.com

**Mexico**

Calle Norte 35, 895-E  
Col. Industrial Vallejo  
C.P. 02300 Azcapotzalco  
Mexico D.F.  
Phone: (55) 57194820  
mexico@capitalsafety.com

**Colombia**

Compañía Latinoamericana de Seguridad S.A.S.  
Carrera 106 #15-25 Interior 105 Manzana 15  
Zona Franca - Bogotá, Colombia  
Phone: 57 1 6014777  
servicioalcliente@capitalsafety.com

**Canada**

260 Export Boulevard  
Mississauga, ON L5S 1Y9  
Phone: 905.795.9333  
Toll-Free: 800.387.7484  
Fax: 888.387.7484  
info.ca@capitalsafety.com

**EMEA (Europe, Middle East, Africa)**

*EMEA Headquarters:*  
5a Merse Road  
North Moons Moat  
Redditch, Worcestershire  
B98 9HL UK  
Phone: + 44 (0)1527 548 000  
Fax: + 44 (0)1527 591 000  
csgne@capitalsafety.com

*France:*

Le Broc Center  
Z.I. 1re Avenue - BP15  
06511 Carros Le Broc Cedex  
France  
Phone: + 33 04 97 10 00 10  
Fax: + 33 04 93 08 79 70  
information@capitalsafety.com

**Australia & New Zealand**

95 Derby Street  
Silverwater  
Sydney NSW 2128  
Australia  
Phone: +(61) 2 8753 7600  
Toll-Free : 1800 245 002 (AUS)  
Toll-Free : 0800 212 505 (NZ)  
Fax: +(61) 2 8753 7603  
sales@capitalsafety.com.au

**Asia**

*Singapore:*

69, Ubi Road 1, #05-20  
Oxley Bizhub  
Singapore 408731  
Phone: +65 - 65587758  
Fax: +65 - 65587058  
inquiry@capitalsafety.com

*Shanghai:*

Rm 1406, China Venturetech Plaza  
819 Nan Jing Xi Rd,  
Shanghai 200041, P R China  
Phone: +86 21 62539050  
Fax: +86 21 62539060  
inquiry@capitalsafety.cn

[www.capitalsafety.com](http://www.capitalsafety.com)

